

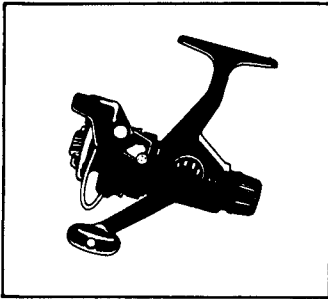
# SHIMANO®

## 1987 REPAIR MANUAL

Shimano American Corporation, One Shimano Dr.  
Irvine, CA 92718

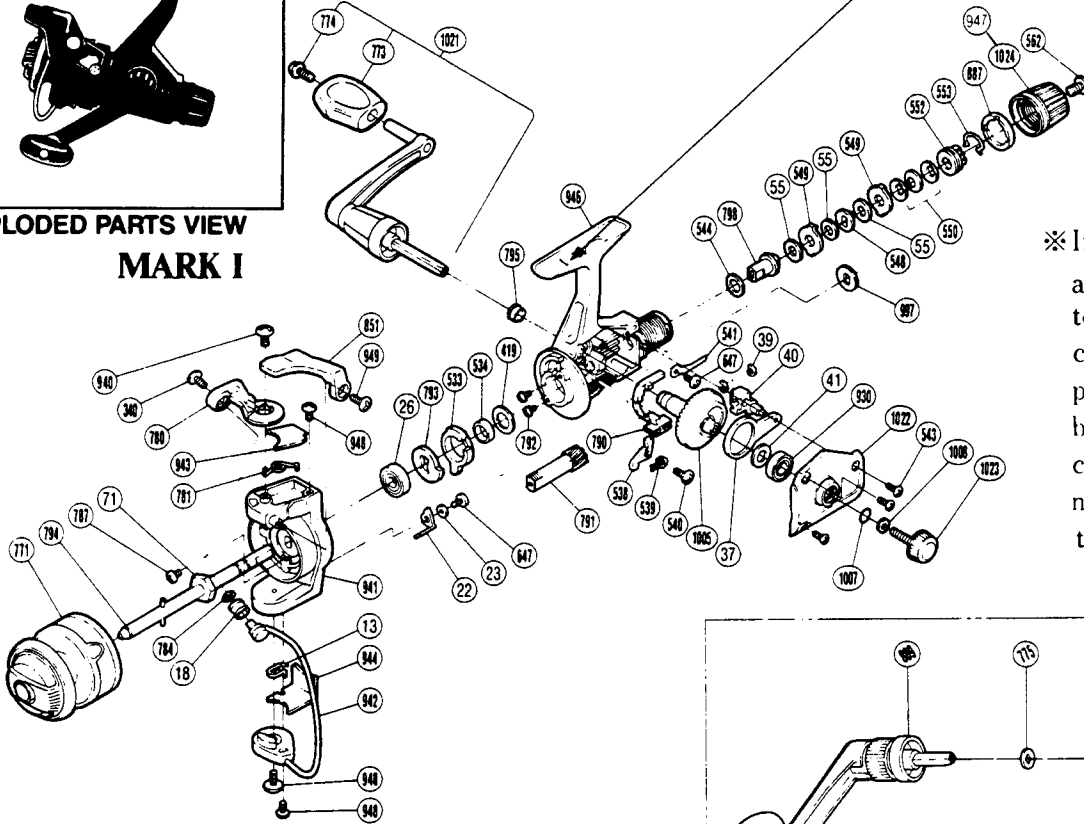
### TO ORDER:

This reel belongs to the "Rear Drag" series.  
Please order parts using the abbreviation  
"RD" and the part number.

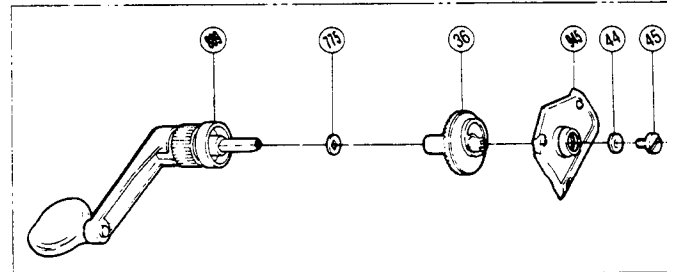


EXPLODED PARTS VIEW  
MARK I

※ Please look here for "S" mark here  
(e.g. 87<sup>S</sup> KB - JAPAN)



※ If your reel does not have an "S" mark molded on top of the reel foot as indicated in the exploded view, please use the parts view below to order these specific parts. All other part numbers are as shown in the exploded view.



### PARTS LIST

#### PART # DESCRIPTION

- 13. Lever Spring
- 18. Line Roller
- 22. Bail Trip Lever
- 23. Trip Lever Spacer
- 26. Ball Bearing
- 36. Drive Gear
- 37. Oscillating Arm
- 39. "C" Lock
- 40. Oscillating Block
- 41. Drive Gear Washer
- 44. Handle Lock Washer
- 45. Handle Lock Screw (Originally 796)
- 55. Drag Washer "C,"
- 71. Rotor Nut
- 340. Line Roller Screw (orig. 950)
- 344. Handle Screw Cap
- 419. Bushing Washer
- 533. Anti-Reverse Lock Out
- 534. Pinion Spacer
- 538. Anti-Reverse Pawl
- 539. Anti-Reverse Pawl Spring
- 540. Anti-Reverse Pawl Screw
- 541. Drag Click

#### PART # DESCRIPTION

- 544. Drag Washer "C<sub>2</sub>"
- 548. Key Washer "A"
- 549. Eared Washer "B"
- 550. Coned Disc Springs
- 552. Pressure Screw
- 553. Hold Click Spring
- 562. Drag Knob Screw
- 647. Multi-Purpose Screw
- 771. Spool Assembly (Universal)
- 775. Handle Lock Spacer
- 780. Bail Arm
- 781. Bail Spring
- 784. Line Roller Washer
- 787. Nut Lock Screw
- 790. Anti-Reverse Switch
- 791. Pinion Gear
- 792. Bearing Retainer Screw
- 793. Anti-Reverse Ratchet
- 794. Main Shaft
- 795. Bushing
- 798. Drag Shaft
- 851. Quick-Fire II Trigger
- 887. Knob Spacer
- 889. Handle Assembly
- 930. Ball Bearing

#### PART # DESCRIPTION

- 940. Bail Trip Cam Screw
- 941. Rotor
- 942. Bail Assembly
- 948. Bail Spring Cover
- 944. Bail Trip Cover
- 945. Side Cover
- 946. Body
- 947. Drag Knob (original)
- 948. Bail Trip Cover Screw
- 949. Trigger Screw
- 997. Click Gear
- 1005. Drive Gear ("S" Version)
- 1007. Lock Washer Retainer ("S" Version)
- 1008. Handle Lock Washer ("S" Version)
- 1021. Handle Assembly ("S" Version)
- 1022. Side Cover ("S" Version)
- 1023. Handle Screw Cap ("S" Version)
- 1024. Drag Knob ("S" Version)